

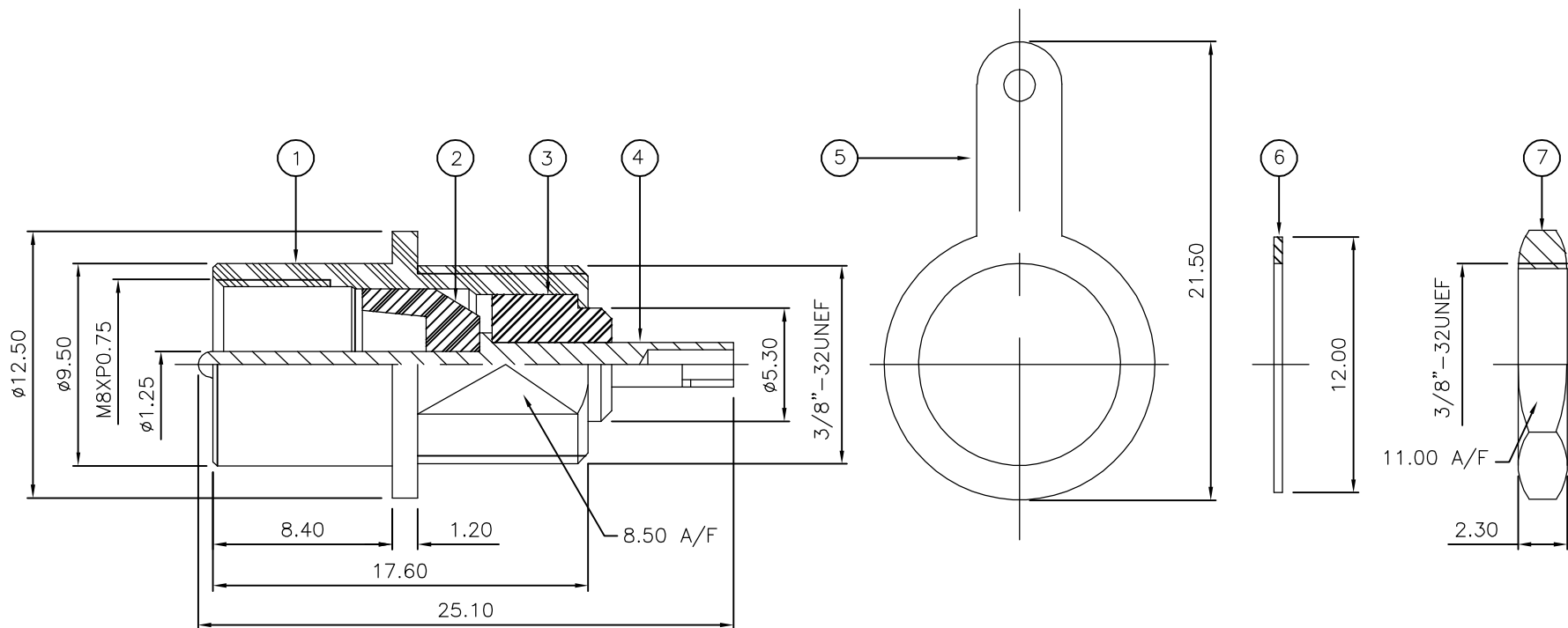
THIS DRAWING IS UNPUBLISHED. RELEASED FOR PUBLICATION AUGUST, 2006.

© COPYRIGHT 2006 BY TYCO ELECTRONICS CORPORATION. ALL RIGHTS RESERVED.

LOC	DIST	REVISIONS					
E	B	P	LTR	DESCRIPTION	DATE	DWN	APVD
		C		ECR-06-018891	31AUG06	JMS	FWK

NOTES:

- 1 PACK IN ACCORDANCE WITH AMP SPEC 107-3275
- 2 100 TRAY PACK IN ACCORDANCE WITH AMP SPEC 107-3275
- 3 Au PLATING
- 4 Ni PLATING
- 5 ELECTRICAL CHARACTERISTICS  
 FREQUENCY RANGE: DC - 2 GHz  
 NOMINAL IMPEDANCE: 50 Ohm  
 INSULATION RESISTANCE: 5000 MOhm  
 WORKING VOLTAGE: 100 Volts RMS at Sea Level  
 DIELECTRIC WITHSTAND VOLTAGE: 1000 Volts RMS Max  
 CONTACT RESISTANCE: CENTRE CONTACT: 10.00 mOhm Max  
 OUTER CONTACT: 5.00 mOhm Max  
 VSWR @ 1.8GHz: N/A  
 INSERTION LOSS dB @ x 1.8 GHz: 0.20 Max
- 6 MECHANICAL CHARACTERISTICS  
 COUPLING NUT RETENTION FORCE: N/A  
 MOUNT NUT RECOMMENDED TORQUE: 2.5N  
 DURABILITY: 500 Cycles Min
- 7 ENVIRONMENTAL CHARACTERISTICS  
 OPERATING TEMPERATURE: -55 to +85 DegC
- 8 FOR TECHNICAL DATA REFER TO YOUR LOCAL TYCO ELECTRONICS SALES OFFICE
- 9 ALL DIMENSIONS ARE NOMINAL FOR REFERENCE ONLY UNLESS OTHERWISE STATED



QTY	UNIT	MATERIAL	DESCRIPTION	ITEM
1	1	BRASS	HEX. NUT	7
1	1	BRASS	WASHER	6
1	1	BRASS	SOLDER TAG	5
1	1	BRASS	CONTACT	4
1	1	POM	INSULATION	3
1	1	POM	INSULATION	2
1	1	BRASS	BODY	1
6--0	1--0	MATERIAL	DESCRIPTION	ITEM
QUANTITY PER ASSY		PARTS LIST		

THIS DRAWING IS A CONTROLLED DOCUMENT.		DWN J.SANDWELL 31AUG06	Tyco Electronics Corporation Bideford EX39 4HE	
DIMENSIONS: mm		CHK S.PARLOW 31AUG06		
TOLERANCES UNLESS OTHERWISE SPECIFIED:		APVD F.WHEELER-KING 31AUG06	NAME FME BULKHEAD PLUG 50 OHM	
0 PLC ± - 1 PLC ± - 2 PLC ± - 3 PLC ± - 4 PLC ± - ANGLES ± -		PRODUCT SPEC -	-	
MATERIAL SEE TABLE		FINISH -	APPLICATION SPEC -	RESTRICTED TO -
		WEIGHT -	SIZE A3	CAGE CODE 00779
			DRAWING NO C-1337554	
		CUSTOMER DRAWING	SCALE NTS	SHEET 1 OF 1
			REV C	